

**CUSTOMER INFORMATION**

Name: \_\_\_\_\_ Home Phone: \_\_\_\_\_

Address: \_\_\_\_\_ Cell Phone: \_\_\_\_\_

\_\_\_\_\_

Contact: \_\_\_\_\_ Phone: \_\_\_\_\_

**SITE DETAILS**

Indoor     Outdoor  
 Straight     Hinged     Curved  
 Acorn     Brooks     Harmar

Heavy Duty **Yes / No**                      Install on **Right / Left**

---

**Power Supply:**

Electric Outlet: **Yes / No**      With Ground Plug: **Yes / No**

Location: **Top / Bottom**      Within 10 feet: **Yes / No**

Customer to install electrical outlet: **Yes / No**

---

**Floor Construction:**

Wood     Concrete     Tile/Marble     Steel

Other: \_\_\_\_\_

---

Hand Rail: **Yes / No**      Removed by Blackburn's **Yes / No**

---

**Distance to Nearest Obstructions at Top and Bottom of Step**

Top Landing \_\_\_\_\_ Inches (Door / Hallway / Other)

Bottom Landing \_\_\_\_\_ Inches (Door / Hallway / Other)

Furniture to be moved by Customer: **Yes / No**

**MEASUREMENTS**

**Stair Case Measurements**

Number of Floors: \_\_\_\_\_

Rail Length: \_\_\_\_\_ inches

Total Number of Risers: \_\_\_\_\_

Stair Width: \_\_\_\_\_ inches

Rise: \_\_\_\_\_ inches      Tread: \_\_\_\_\_ inches

Top Landing:      \_\_\_\_\_ Width      \_\_\_\_\_ Length

Bottom Landing:      \_\_\_\_\_ Width      \_\_\_\_\_ Length

---

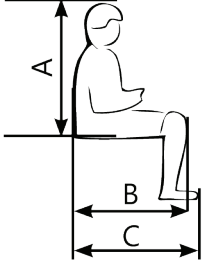
**Seat Configuration**

**Height**

< 5'  
 5' 1 to 5' 6  
 5' 7 to 6'  
 > 6' 1

**Weight**

150 lbs.  
 151 - 200 lbs.  
 201 - 250 lbs.  
 250 - 300 lbs.  
 300 - 350 lbs.



A \_\_\_\_\_ inches  
 B \_\_\_\_\_ inches  
 C \_\_\_\_\_ inches

**CUSTOMER ACCEPTANCE**

I have provided BLACKBURN'S with accurate information for the stair lift and seat configuration. I have read and understand the recommended stair lift configuration and tasks the Customer must perform prior to the installation.

Print Name: \_\_\_\_\_ Date: \_\_\_\_\_

Sign Name: \_\_\_\_\_

Deposit Amount: \_\_\_\_\_ Date: \_\_\_\_\_ Balance Due at Installation: \_\_\_\_\_